

3000 Series Code Reader

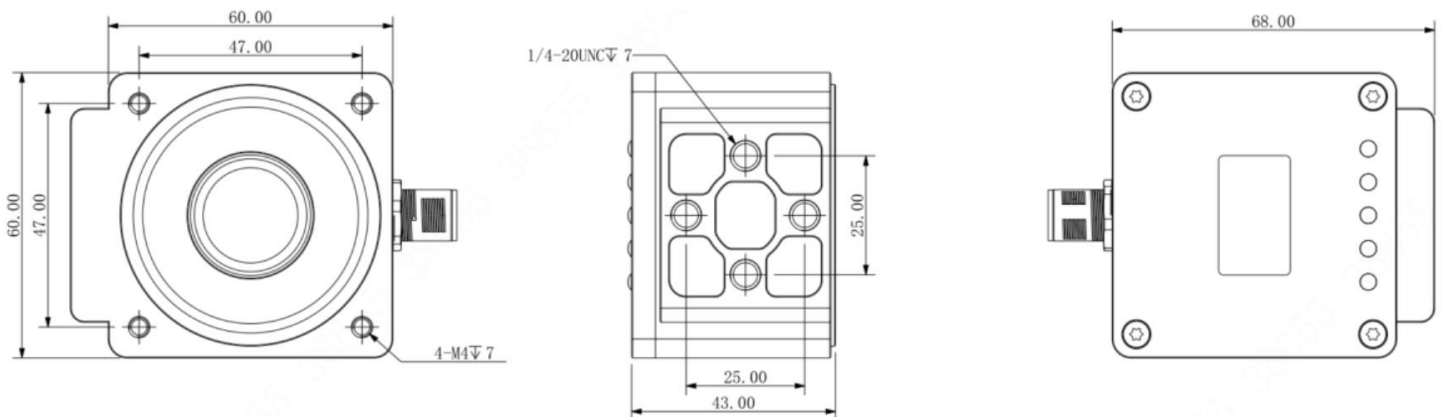
R3051MG010E

Product Features

- Excellent algorithm performance, which can effectively deal with barcode soiling, defects and low contrast in the process of use;
- Embedded code reading algorithm perform with high decoding rate and high accuracy;
- Support 2D codes including DM-12 & DM-14 etc.;
- Embedded aviation plug, abundant I/O interfaces;
- 5 LED indicators for debugging and status monitoring;
- Support multiple user-defined configurations to save, load and switch;
- M12 lens helps code reading in large FOV;
- Superior build-in illuminations design to ensure uniform fill light brightness;



Dimensions (mm)



Model Name	R3051MG010E
Resolution	800x600
Max. Frame rate	100
Sensor Type	1/3.6", CMOS
Shutter Mode	Global
Pixel Size	4.8x4.8
Mono/Color	Mono
Lens Mount	M12
Trigger Mode	Software Trigger/Hardware Trigger/Free Run Mode etc.
Software	SVStudio
Certifications	CE, FCC, KC
Function	DM-12&DM-14, DM4x4 Array codes
Focal Length	3.7mm
Working Distance	100mm
FOV	115mm x 85mm
Max. Read Speed	125 pcs/s
Max. Move Speed	3m/s
Focus Mode	Fixed
Light Type	White LED
Connector	Industrial-grade M12 connectors are Ethernet and GPIO interfaces
Network Port	100M Ethernet
GPIO	1x Opto-isolated input, 1x Opto-isolated output
Communication Mode	RS485, Ethernet
Communication Protocol	SDK, Serial, TCPServer, TCPClient
LED Indicator	Power indicator, Network indicator, Result display indicator
Power Supply	DC24V±10%
Power Consumption	LED switch off: 2.65W@24VDC/ LED strobe: 3.2W@24VDC/ LED switch on: 5.4W@24VDC
Product Dimensions	60mm×60mm×43 (interface height not included)
Protection	IP64 (with the proper lens cover installed correctly)
Shell Material	Aluminum alloy
Operating Temperature	Operating Temperature: -20°C ~ +50°C, Storage Temperature: -30°C ~ +80°C
Operating Humidity	20% ~ 95%, Non condensing (with the proper lens cover installed correctly)

© 2021 IRAYPLE. All rights reserved. Design and specifications are subject to change without notice.

Pictures in the document are for reference only, and the actual product shall prevail.